

TOP PICKS FOR BUS & COACH BLOWERS



BLOWERS

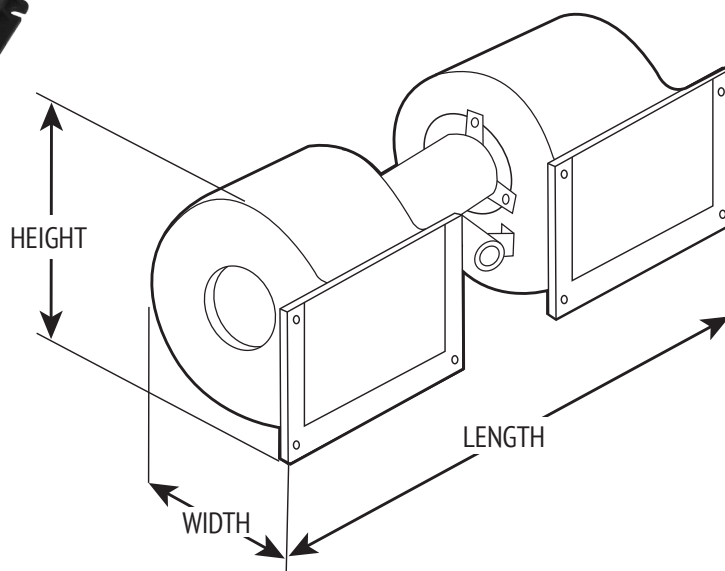
There's a reason why SPAL high performance axial blowers are the OEM's choice and fitted to the original piece of kit; because they are designed to function efficiently well beyond scheduled servicing and maintenance.

At replacement time, be sure to fit the same robust and reliable product rather than compromise with a lesser brand. Quality always delivers a more cost effective solution over the life of the vehicle.

As well as a world renowned heritage in the manufacture, design and R & D of cooling solutions, SPAL blowers come with a market leading 3 year warranty.

Use this quick guide to select your requirements from SPAL's most frequently specified blowers.

Note: Always check for damaged scroll blades within blowers at the point of service. This can lead to reduced airflow and performance and affect the overall balance of the shaft and motor.



Use the diagram above as a reference to measure the dimensions of your blower. This will help you determine which is suitable for your vehicle.



DOUBLE BLOWERS

SPAL DESCRIPTION: 006-B45-22



PART NUMBER: 30000020

AIR FLOW: 1160 CFM
VOLTAGE: 24V
SPEEDS: 3 SPEED
LENGTH: 351mm
WIDTH: 139.8mm
HEIGHT: 167.5mm

SPAL DESCRIPTION: 006-B46-22



PART NUMBER: 30000150

AIR FLOW: 920 CFM
VOLTAGE: 24V
SPEEDS: 3 SPEED
LENGTH: 351mm
WIDTH: 139.8mm
HEIGHT: 167.5mm

SPAL DESCRIPTION: 008-B40-02



PART NUMBER: 30000479

AIR FLOW: 770 CFM
VOLTAGE: 24V
SPEEDS: 3 SPEED
LENGTH: 310mm
WIDTH: 113.1
HEIGHT: 127.5mm

SPAL DESCRIPTION: 008-B40-02



PART NUMBER: 30000487

AIR FLOW: 770 CFM
VOLTAGE: 24V
SPEEDS: SINGLE SPEED
LENGTH: 310mm
WIDTH: 113.1
HEIGHT: 127.5mm

SPAL DESCRIPTION: 008-B45-02



PART NUMBER: 30000464

AIR FLOW: 750 CFM
VOLTAGE: 24V
SPEEDS: 3 SPEED
LENGTH: 310mm
WIDTH: 113.1mm
HEIGHT: 127.5mm

SPAL DESCRIPTION: 008-B46-02



PART NUMBER: 30000455

AIR FLOW: 620 CFM
VOLTAGE: 24V
SPEEDS: 3 SPEED
LENGTH: 310mm
WIDTH: 113.1mm
HEIGHT: 127.5mm

SPAL DESCRIPTION: 009-B40-22



PART NUMBER: 30000508

AIR FLOW: 1070 CFM
VOLTAGE: 24V
SPEEDS: 3 SPEED
LENGTH: 335mm
WIDTH: 146mm
HEIGHT: 163.9mm

SPAL DESCRIPTION: 006-B40-22



PART NUMBER: 30000075

AIR FLOW: CFM
VOLTAGE: 24V
SPEEDS: 3 SPEEDS
LENGTH: 350mm
WIDTH: 135mm
HEIGHT: 140mm

SPAL DESCRIPTION: 006-B39-22

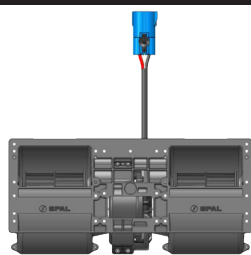


PART NUMBER: 30000076

AIR FLOW: 1200 CFM
VOLTAGE: 24V
SPEEDS: SINGLE SPEED
LENGTH: 351mm
WIDTH: 139.8mm
HEIGHT: 167.5mm

SINGLE BLOWERS

SPAL DESCRIPTION: 020-BBL371P/R/N 95



PART NUMBER: 30007035A

BRUSHLESS

ASK FOR DETAILS ABOUT OUR NEW RANGE

SPAL DESCRIPTION: 006-B40-22



PART NUMBER: 30000561B

AIR FLOW: 1100 CFM
VOLTAGE: 24V
SPEEDS: 3 SPEED
LENGTH: 139mm
WIDTH: 146mm
HEIGHT: 163.9mm

Patricia Mori,
Aftermarket
Business
Development
Manager,
Bus & Coach



07799 111151

patricia@spalautomotive.co.uk

